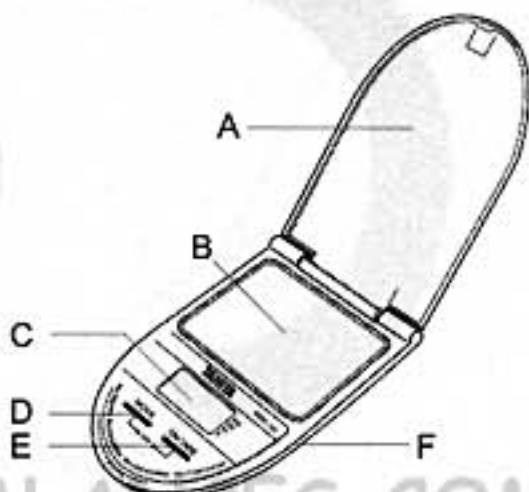


DIGITAL SCALE MODEL 1481

PARTS

A	Cover
B	Tray
C	LCD Display
D	MODE button (or OFF button)
E	ON/TARE button
F	Battery compartment



HOW TO USE

- Place the unit on a flat, stable, non-slippery surface.
- Press the ON/TARE button. "8888" will be displayed. Approximately 2 seconds later, after the display indicates "0.0" (or "0.000") and the stability indicator is displayed, weighing can be performed.
- Place the object to be weighed on the weighing tray. The display will indicate the weight of the object. If the weight of the object exceeds the maximum capacity of the scales "EEEE" will be displayed (overload display).
- Tare Function**
While the scale is ON, place the container to be tared on the weighing tray. The display will indicate the weight of the container. Next, press the ON/TARE button, and the display will then indicate "0.0" (or "0.000"). Check that the stability indicator is displayed before weighing the object. When the object is placed in the container on the weighing tray, only the weight of the object will be displayed. The total weight can be calculated by adding the weight of the container to the weight of the object.
- Auto Power Off**
The scale will automatically switch off after approximately 2 minutes, if the weight on the weighing tray does not change or if weighing is completed (power saving).
- Changing the Batteries**
If the display indicates "LO," press both the MODE and ON/TARE buttons at the same time (or the OFF button) and change the batteries.
- Switchable Units of Measurement (MODE Switchable)**
To switch the units of measurement, press the MODE button.
g→oz→ozt→dwt

CAUTIONS

This scale is a precision instrument and must be used under certain conditions to ensure accurate measurement. Please observe the following when using this scale:

- Never disassemble the unit.
- Use in a vibration-free location that is not exposed to direct sunlight.
- The scale will not measure accurately in an environment subject to large temperature changes. The unit takes approximately two hours to adjust to such changes.
- Keep water and chemicals off the scale. Wipe with a damp cloth from time to time.
- Do not use or store near heat sources (ovens, heaters, etc.). (Optimum operating temperature 59°-77°F/15°-25°C)
- If not using for a long time, remove the batteries and store the unit in a dry, dust-free location.
- Check and replace batteries before sending the unit for repair. If repair is necessary, remove the batteries, repack the unit in the original carton and protect with packing materials before shipment.
- Do not leave objects on the weighing tray when the scale is not in use.

SPECIFICATIONS

Version	Capacity	Graduation
MODE Switchable	120g	0-120g/0.1g
	4.2oz	0-4.2oz/0.005oz
	3.8ozt	0-3.8ozt/0.005ozt
	77.2dwt	0-77.2dwt/0.1dwt

Power Supply : 2pcs.lithiumbatteries CR2016 (5000LC)